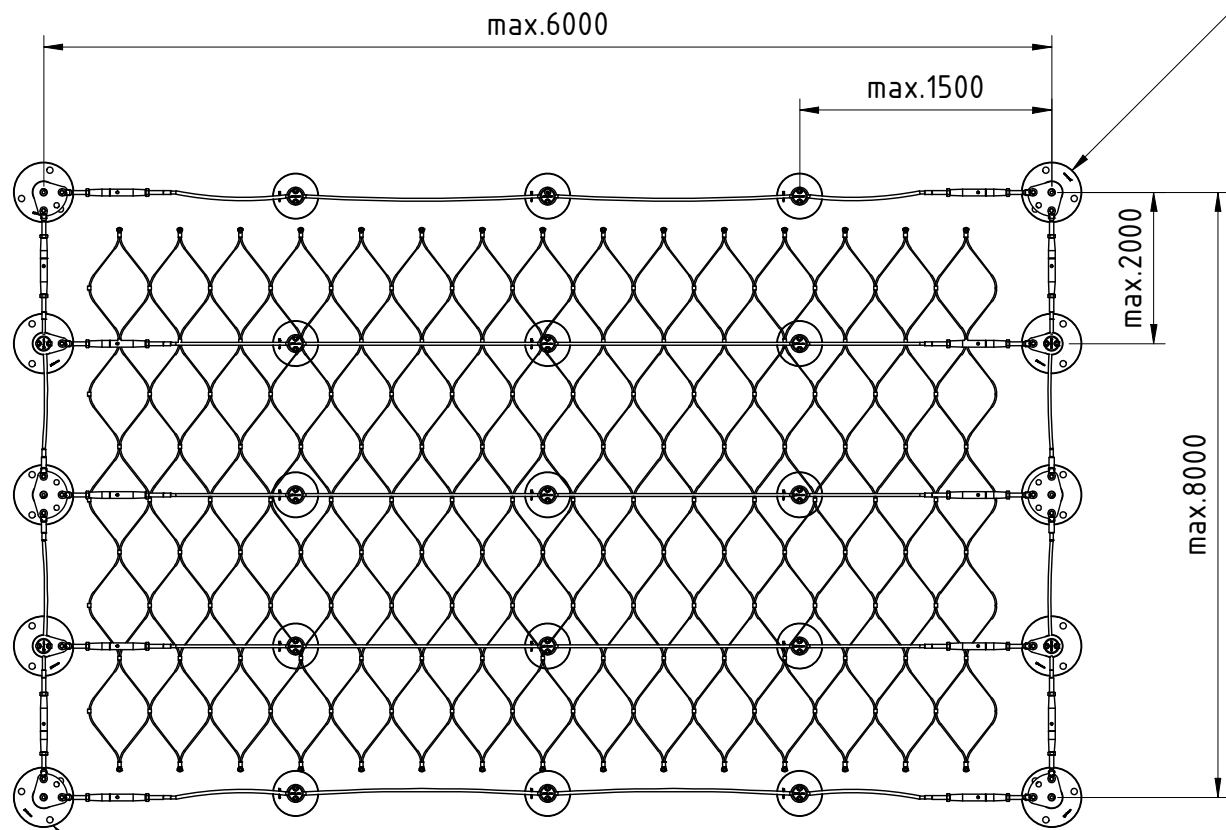




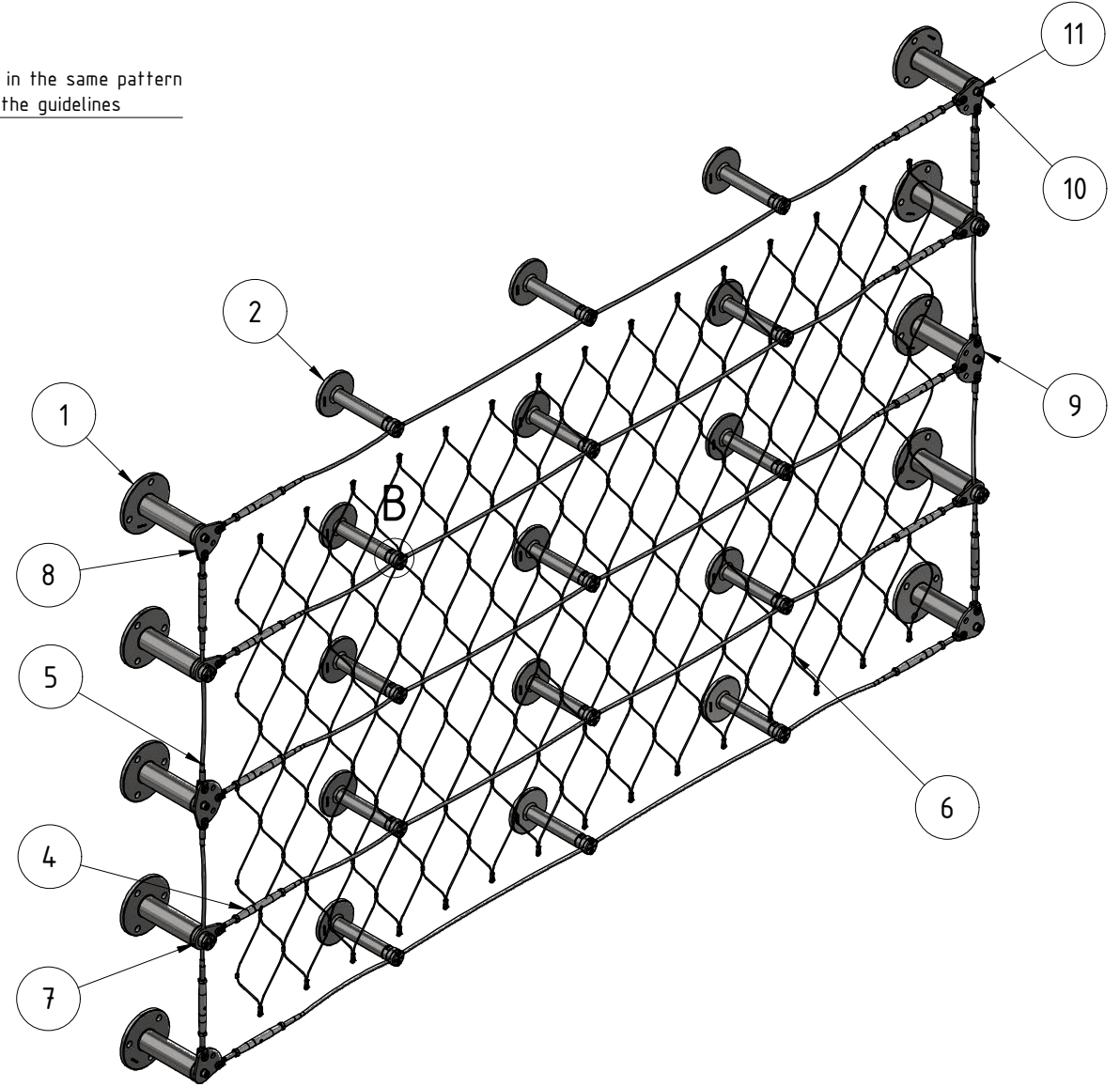
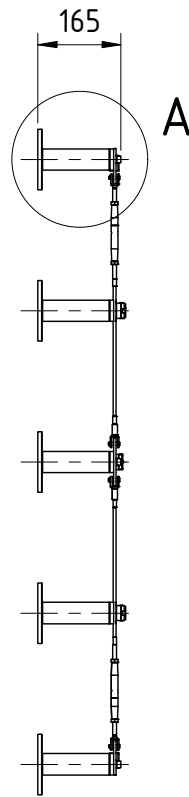
Die Ausric
muss gem

Webnet System

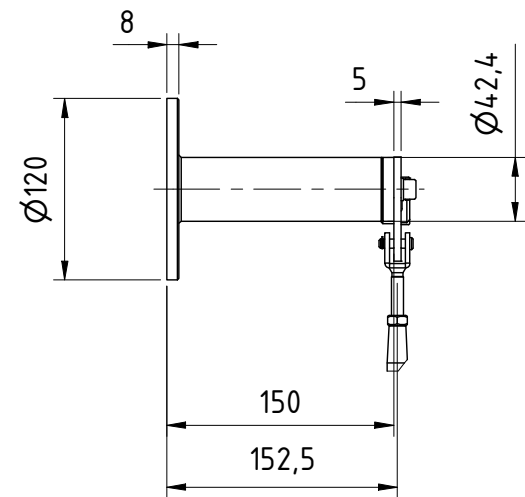
The reproduction, distribution and utilization of this drawing as well as the communication of its contents to others without express authorization is prohibited. Offenders will be held liable for the payment of damages. All rights reserved in the event of the grant of a patent, utility model or design.



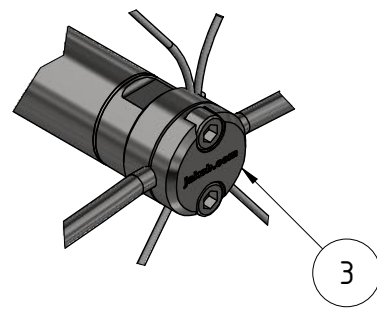
The spacers must be installed with orientation according to the drawing. Mounting with boring jig 30897-1000



A (1 : 5)



B (1:2)



Torque rope guide with overload protection 30920-0600-30 = 10 Nm Assembly according to manual

System for selection with rope styles W1 / W2 / W3 (20814-0600-0x), as pos. 4, 5
 Wall distances of 100mm, 150mm and 200mm recommended with spacers 30897-0xx0-10
 Assembly material according to catalog G2 technical, p. 71
 The maximal system dimensions have to be modified in case of large building heights or strong wind regions
 The dimensions are not indicated according to scale

11	6	30896-0800	Washer DIN 125A A4
10	6	30844-0800-020	Socket head screw DIN 912 M8x20 A4
9	2	30897-0010	Clevis connector 180°
8	4	30897-0011	Clevis connector 90°
7	4	30897-0012	Clevis connector 0°
6	1	20261-0200-120 / 20261-0200-160 / 20261-0200-200	Webnet micro
5	4	20814-0600-01/20814-0600-02/20814-0600-03	Rope assembly W1/W2/W3, Length b=?
4	5	20814-0600-01/20814-0600-02/20814-0600-03	Rope assembly W1/W2/W3, Length b=?
3	19	30920-0600-30	Rope guide with overload protection
2	15	30897-0150-10 / 30897-0100-10 / 30897-0200-10	Spacer GreenTrellis
1	10	30897-0150-00 / 30897-0100-00 / 30897-0200-00	Spacer Webnet

Pos.	Anz./Qty.	Art.-No. / Standard	Bezeichnung / Description	Gewicht / Weight
				34.452 kg

Webnet System EN technical p. 38				Massstab / Scale	1 : 15	
Gezeichnet	lru	Datum	03.08.2020			
Geprüft	lru	Datum	03.08.2020			
Freigegeben	lru	Datum	03.08.2020	Blatt 1 von 1		

Jakob[®]
Rope Systems

Jakob AG
3555 Trubschachen
Switzerland

168400

Index

A

Weitergabe sowie Vervielfältigung dieser Zeichnung, Verwertung und Mitteilung ihres Inhalts ist verboten, soweit nicht ausdrücklich gestattet. Zuwiderhandlungen verpflichten zu Schadensersatz. Alle Rechte für den Fall der Patent-, Gebrauchsmuster- oder Geschmacksmustererheintragung vorbehalten.